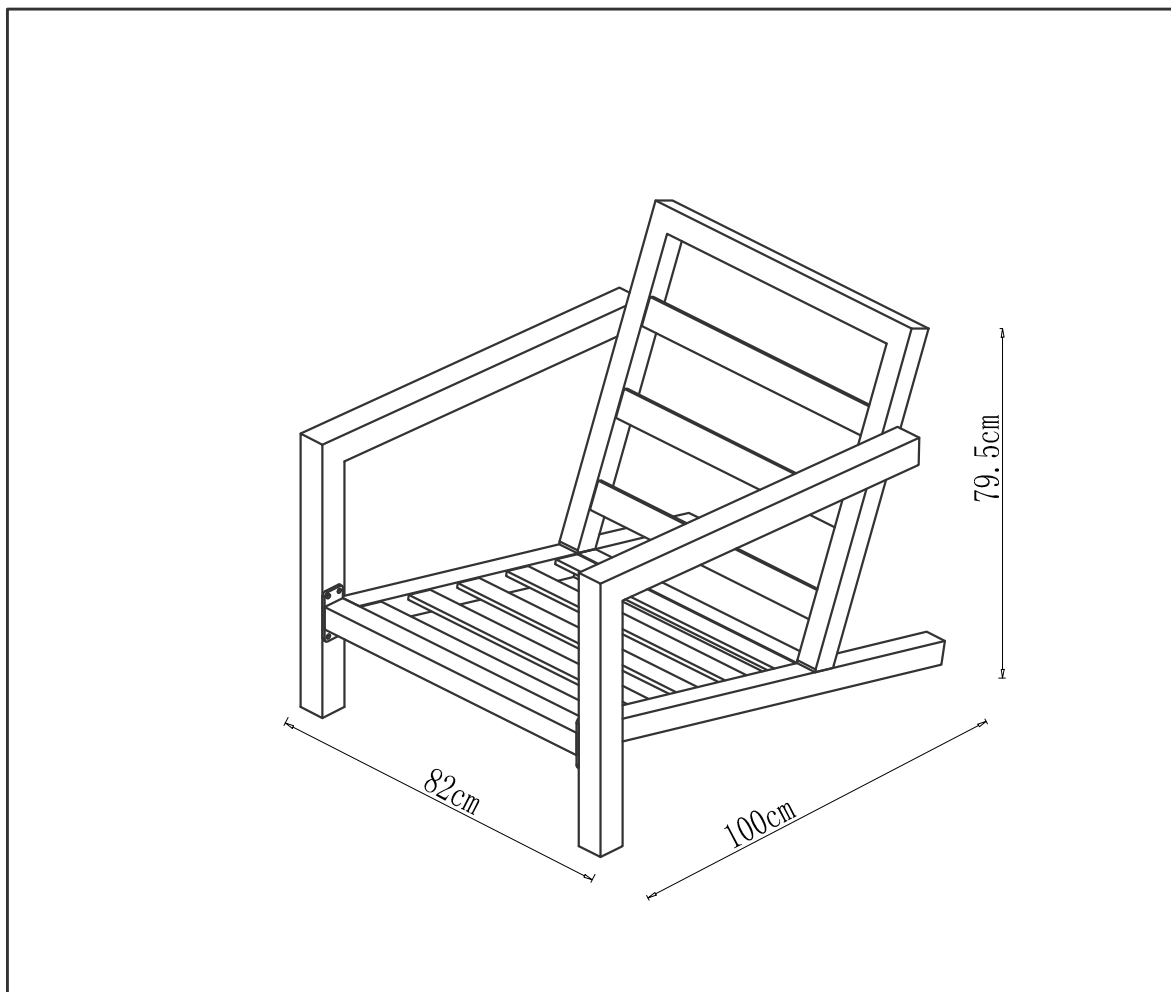




ASSEMBLY INSTRUCTION
ELWOOD 4PCE OUTDOOR LOUNGE SETTING

ITEM CODE - 65416

Imported by Amart Furniture Pty Ltd, Qld, Brisbane Australia .
For any assistance with assembly or for missing parts please phone
Amart Furniture , Customer Service Freecall 1800 351 084


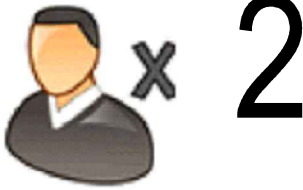



Imported by Amart Furniture Pty Ltd, Qld, Brisbane Australia .
For any assistance with assembly or for missing parts please phone
Amart Furniture, Customer Service Freecall 1800 351 084

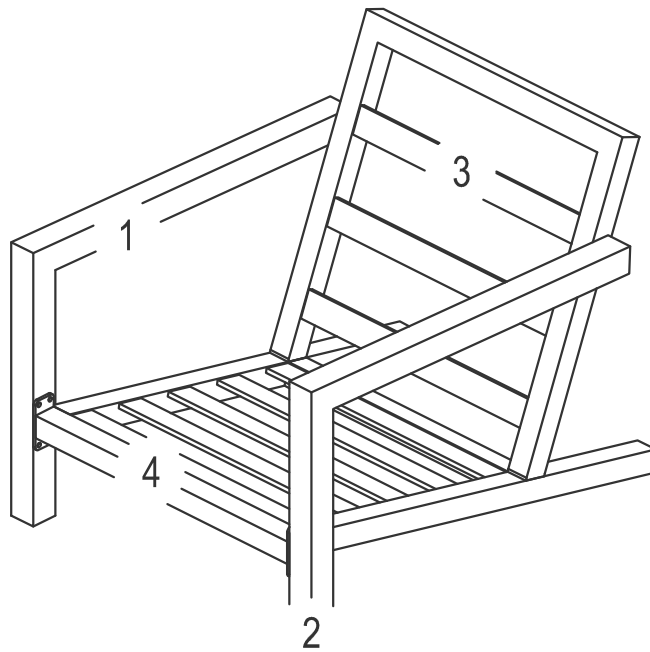
PRE-ASSEMBLY PREPARATION

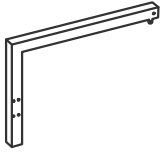
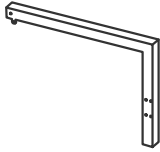
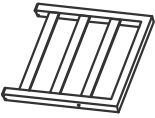

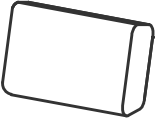

Before you start:



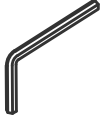

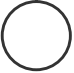

1. Choose a clean, level, spacious assembly area. Avoid hard surfaces that may damage the product.
2. Take care when lifting. Product should be assembled as near as possible to the point of use.
3. Ensure that you have all required contents for complete assembly.
4. Always read the assembly instructions carefully before beginning assembly.
5. Keep all hardware parts and packaging out of reach of small children.
6. Do not over tighten the screws and bolts as this may damage the threads.

	
ALLOW 20 MINUTES	PEOPLE REQUIRED
	
ADDITIONAL TOOLS REQUIRED	

PARTS LIST


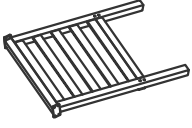
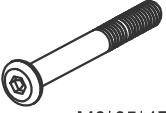
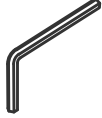




1	Right arm		2PCS	2	Left arm		2PCS
3	Backrest		2PCS	4	Seat		2PCS
10	Back Cushion (A)		2PCS	11	Cushion (A)		2PCS

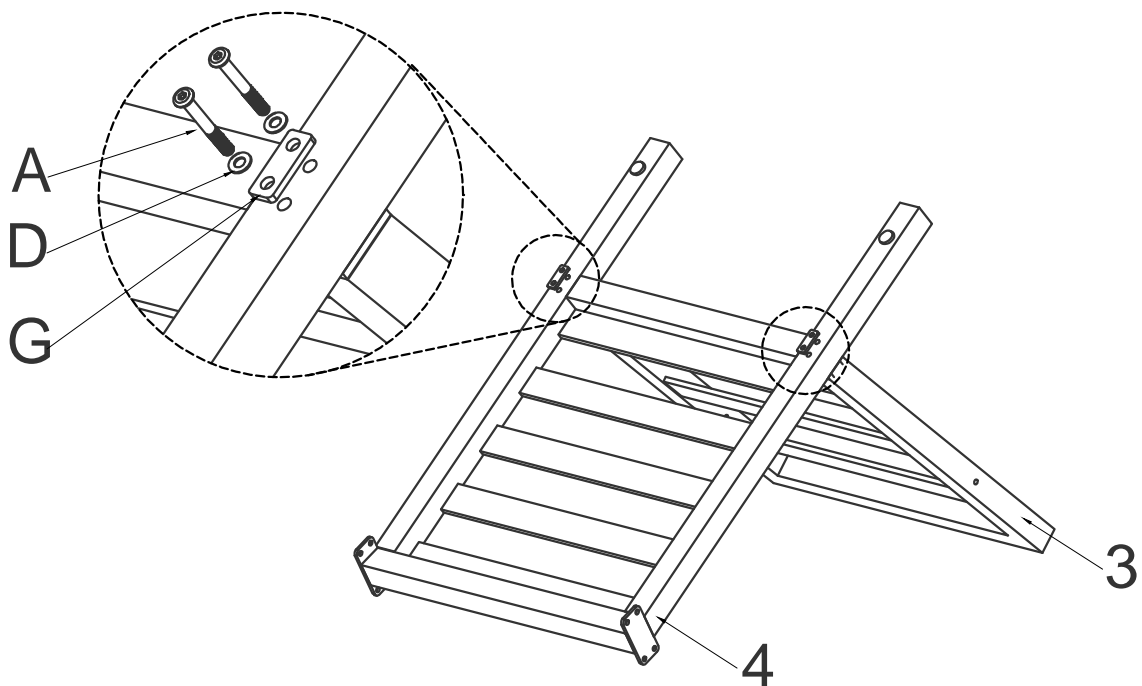
A. Bolt  M6*65*12PC	B. Bolt  M6*20*20PCS	C. Hexagon Key  M6*1PC	D. Shim  M6*32PCS
F. Protective Pad  8PCS	G. Washer  4PCS		

Step 1:

ITEMS REQUIRED


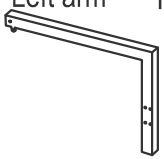



3. Backrest 1PC 	4. Seat 1PC 		
A. Bolt  M6*65*4PCS	C. Hexagon Key  M6*1PC	D. Shim  M6*4PCS	G. Washer  2PCS

- Attach backrest (3) to seat (4) using bolt (A) with shim (D) & washer(G).
- Half tighten with hexagon key (C) .
- Do not fully tighten all bolts until all bolts are in the product.

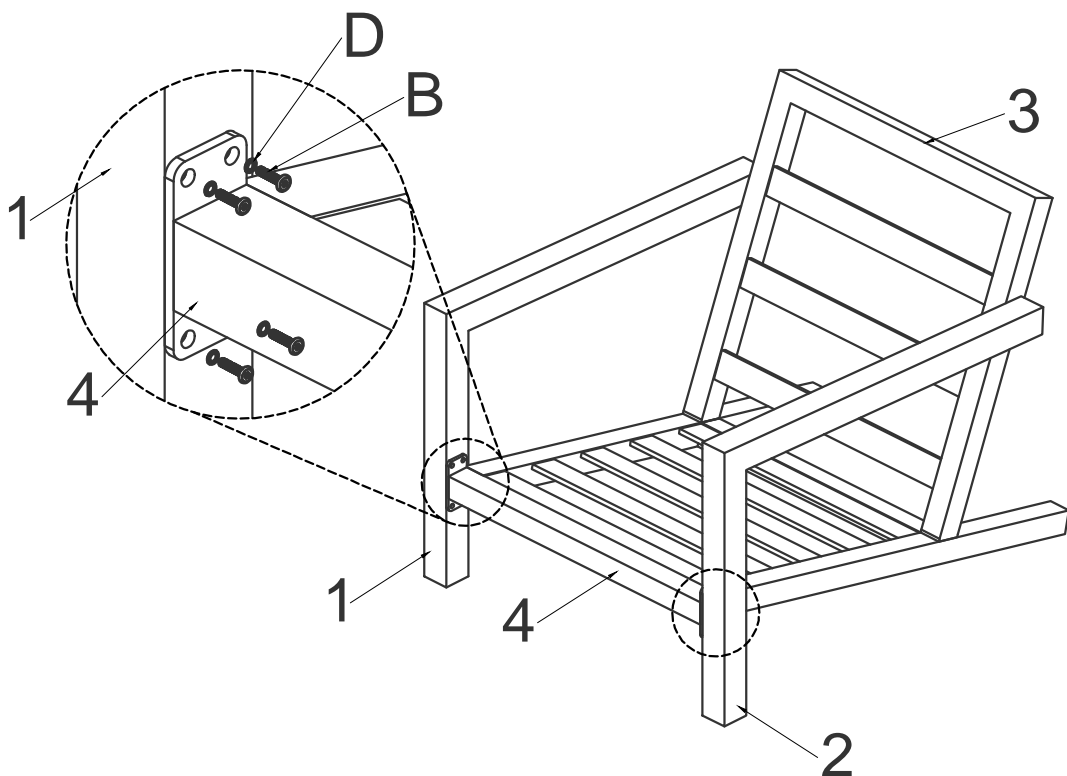


Step 2:

ITEMS REQUIRED

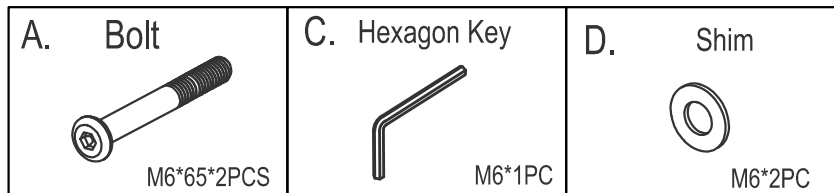
1. Right arm 1PC 	2. Left arm 1PC 	
B. Bolt  M6*20*8PCS	C. Hexagon Key  M6*1PC	D. Shim  M6*8PCS

- Attach seat (4) to right arm (1) and left arm (2) using bolt (B) with shim (D).
- Half tighten with hexagon key (C) .
- Do not fully tighten all bolts until all bolts are in the product.

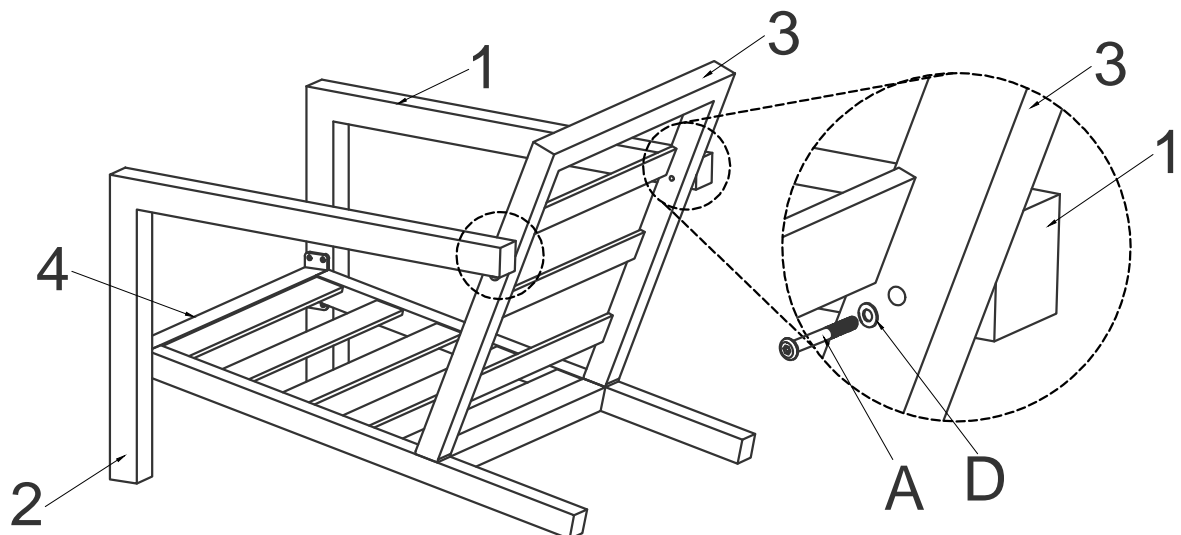


Step 3:

ITEMS REQUIRED






- Attach backrest (3) to right arm (1) and left arm (2) using bolt (A) with shim (D).
- Half tighten with hexagon key (C).
- Do not fully tighten all bolts until all bolts are in the product.

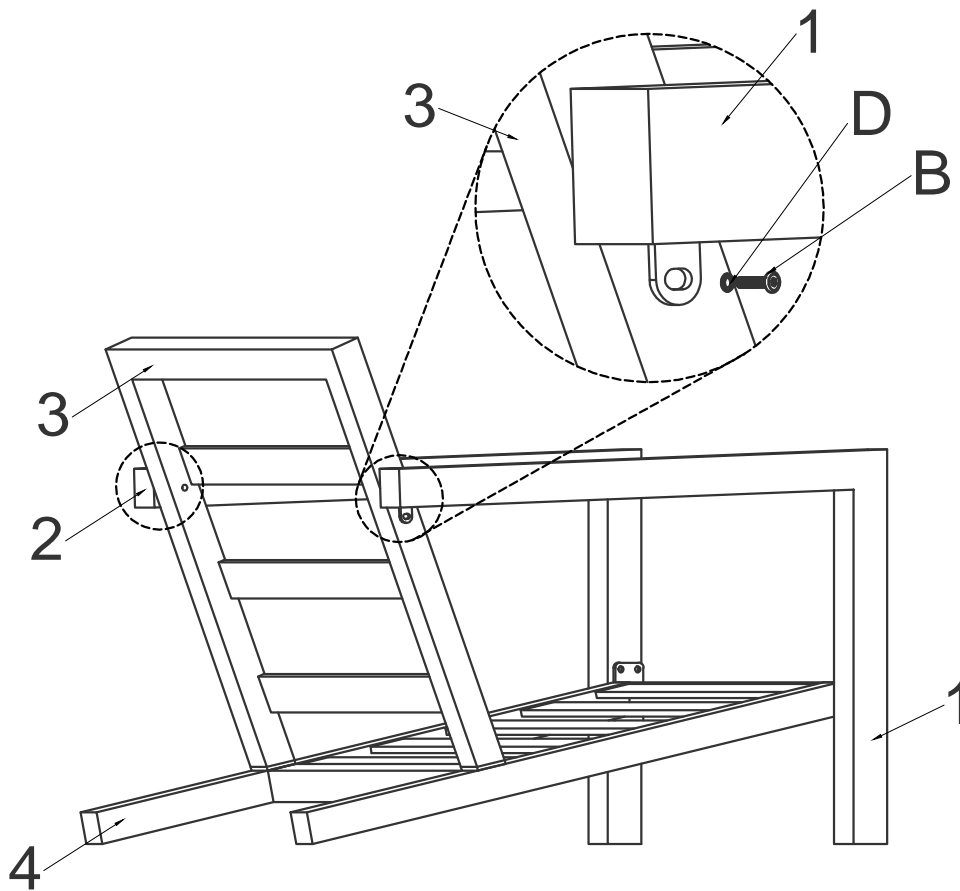


Step 4:

ITEMS REQUIRED

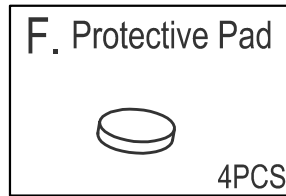
B. Bolt  M6*20*2PCS	C. Hexagon Key  M6*1PC	D. Shim  M6*2PCS
---	--	--

- Attach right arm (1) and left arm (2) to backrest (3) using bolt (B) with shim (D).
- Tighten with hexagon key (C) .

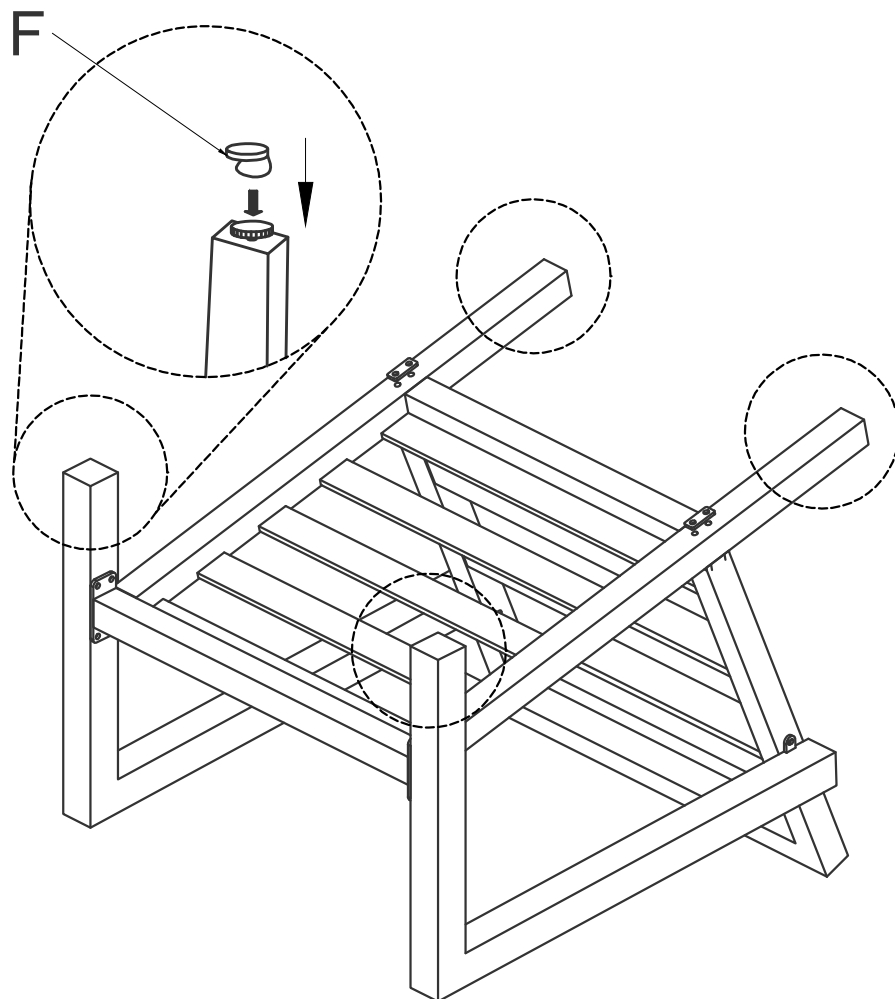


Step 5:

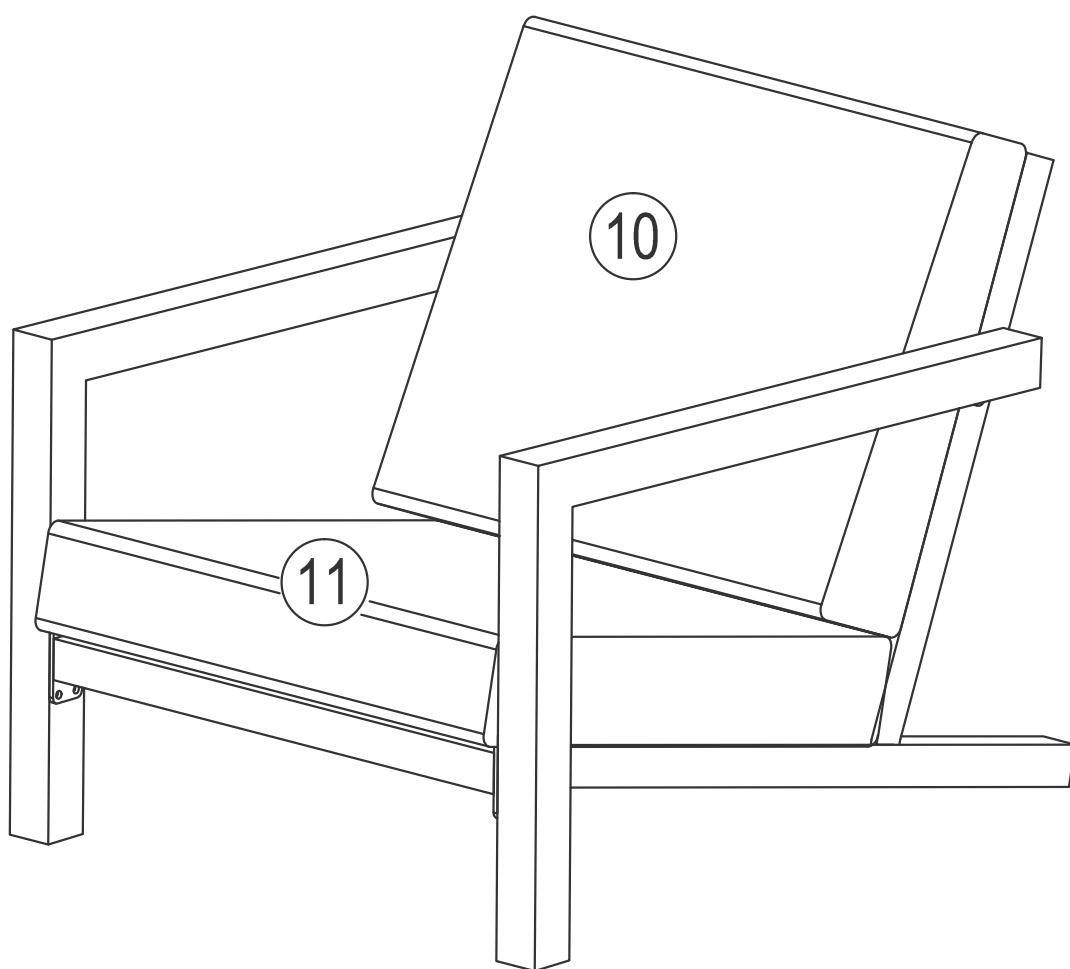
ITEMS REQUIRED



- Last attach the Protective Pad (F) under the adjusting knob.



ASSEMBLY IS COMPLETE

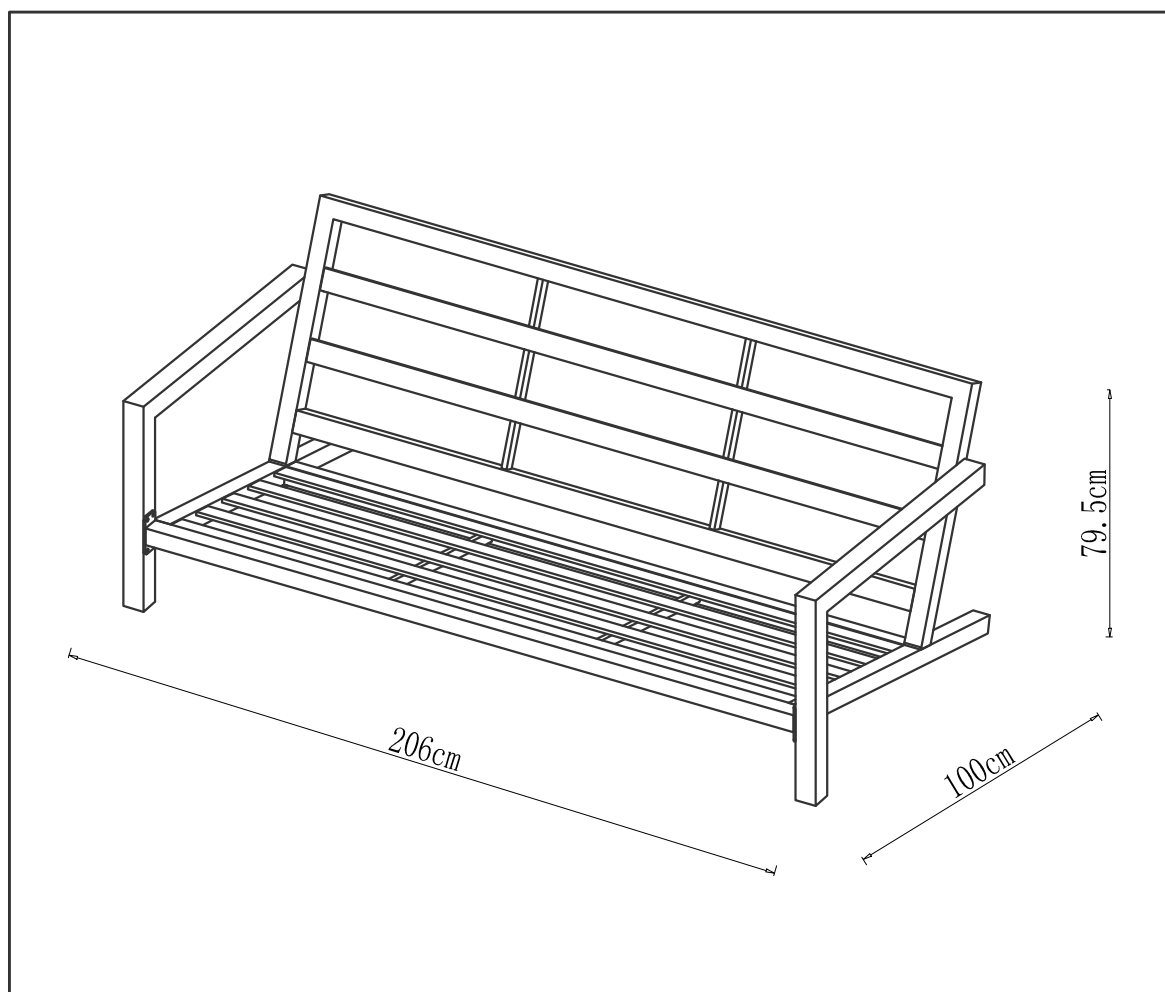




ASSEMBLY INSTRUCTION
ELWOOD 4PCE OUTDOOR LOUNGE SETTING

ITEM CODE - 65416

Imported by Amart Furniture Pty Ltd, Qld, Brisbane Australia .
For any assistance with assembly or for missing parts please phone
Amart Furniture , Customer Service Freecall 1800 351 084





Imported by Amart Furniture Pty Ltd, Qld, Brisbane Australia .
For any assistance with assembly or for missing parts please phone
Amart Furniture, Customer Service Freecall 1800 351 084

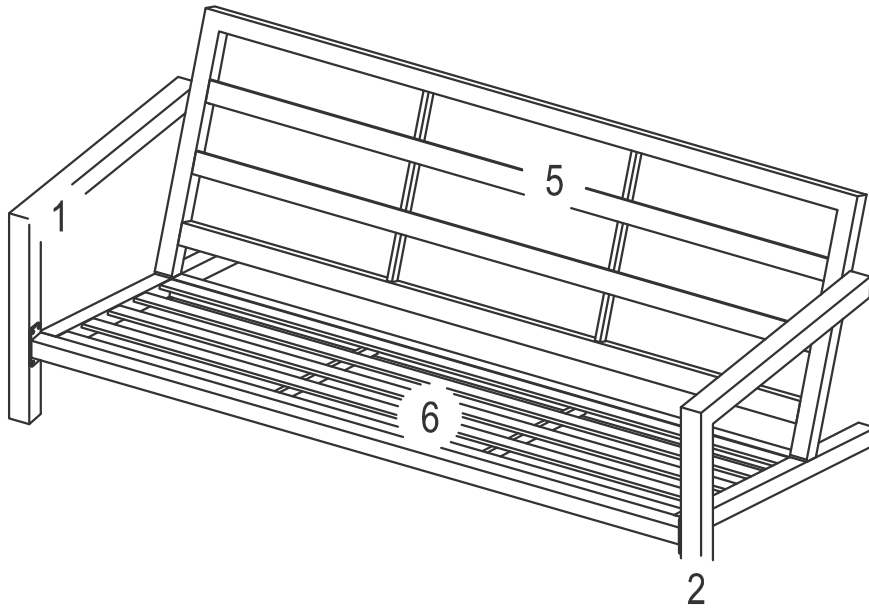
PRE-ASSEMBLY PREPARATION

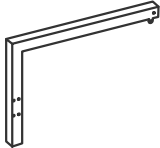
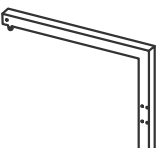
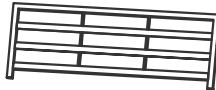
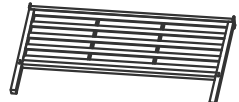


Before you start:



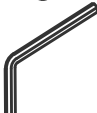



1. Choose a clean, level, spacious assembly area. Avoid hard surfaces that may damage the product.
2. Take care when lifting. Product should be assembled as near as possible to the point of use.
3. Ensure that you have all required contents for complete assembly.
4. Always read the assembly instructions carefully before beginning assembly.
5. Keep all hardware parts and packaging out of reach of small children.
6. Do not over tighten the screws and bolts as this may damage the threads.

	
ALLOW 20 MINUTES	PEOPLE REQUIRED
ADDITIONAL TOOLS REQUIRED	

PARTS LIST

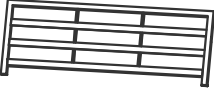
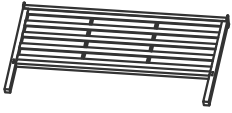
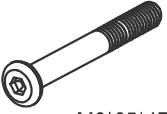
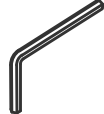




<p>1 Right arm  1PC</p>	<p>2 Left arm  1PC</p>
<p>5 Backrest  1PC</p>	<p>6 Seat  1PC</p>
<p>12 Back Cushion (B)  3PCS</p>	<p>13 Cushion (B)  3PCS</p>

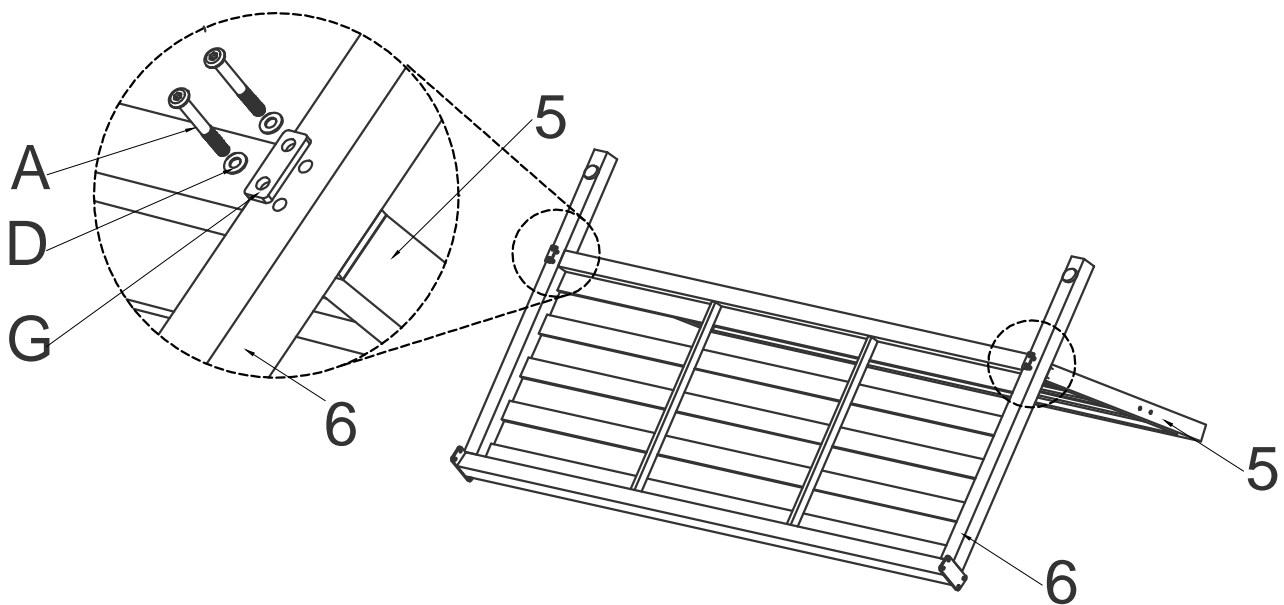
<p>A. Bolt</p>  <p style="text-align: center;">M6*65*6PC</p>	<p>B. Bolt</p>  <p style="text-align: center;">M6*20*10PCS</p>	<p>C. Hexagon Key</p>  <p style="text-align: center;">M6*1PC</p>	<p>D. Shim</p>  <p style="text-align: center;">M6*16PCS</p>
<p>F. Protective Pad</p>  <p style="text-align: center;">4PCS</p>	<p>G. Non-slip mat</p>  <p style="text-align: center;">2PCS</p>		

Step 1:

ITEMS REQUIRED

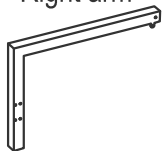
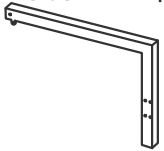

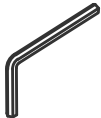

5. Backrest 1PC 	6. Seat 1PC 		
A. Bolt  M6*65*4PCS	C. Hexagon Key  M6*1PC	D. Shim  M6*4PCS	G. Washer  2PCS

- Attach backrest (5) to seat (6) using bolt (A) with shim (D) & washer (G).
- Half tighten with hexagon key (C).
- Do not fully tighten all bolts until all bolts are in the product.

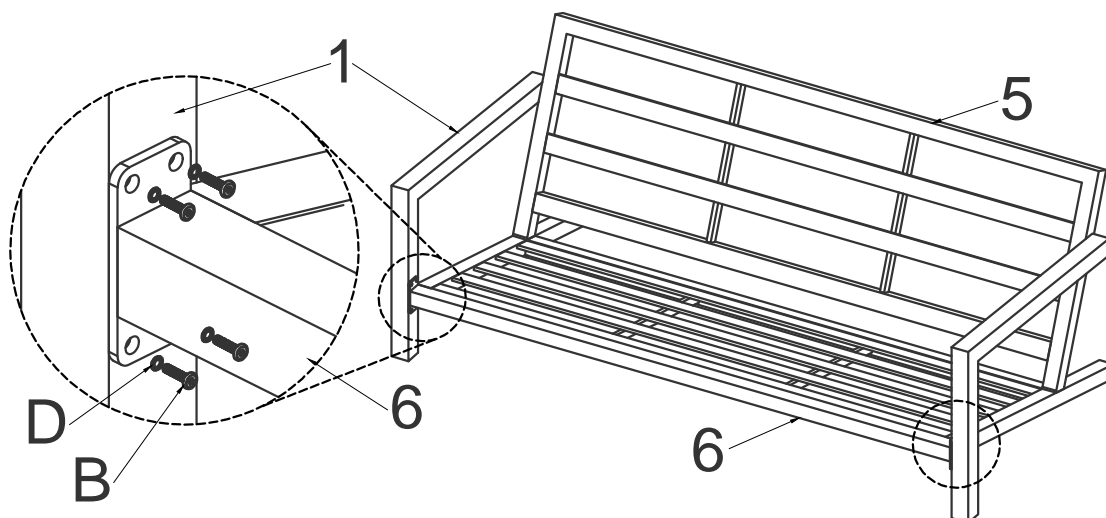


Step 2:

ITEMS REQUIRED




1. Right arm 1PC 	2. Left arm 1PC 	
B. Bolt  M6*20*8PCS	C. Hexagon Key  M6*1PC	D. Shim  M6*8PCS

- Attach seat (6) to right arm (1) and left arm (2) using bolt (B) with shim (D).
- Half tighten with hexagon key (C).
- Do not fully tighten all bolts until all bolts are in the product.

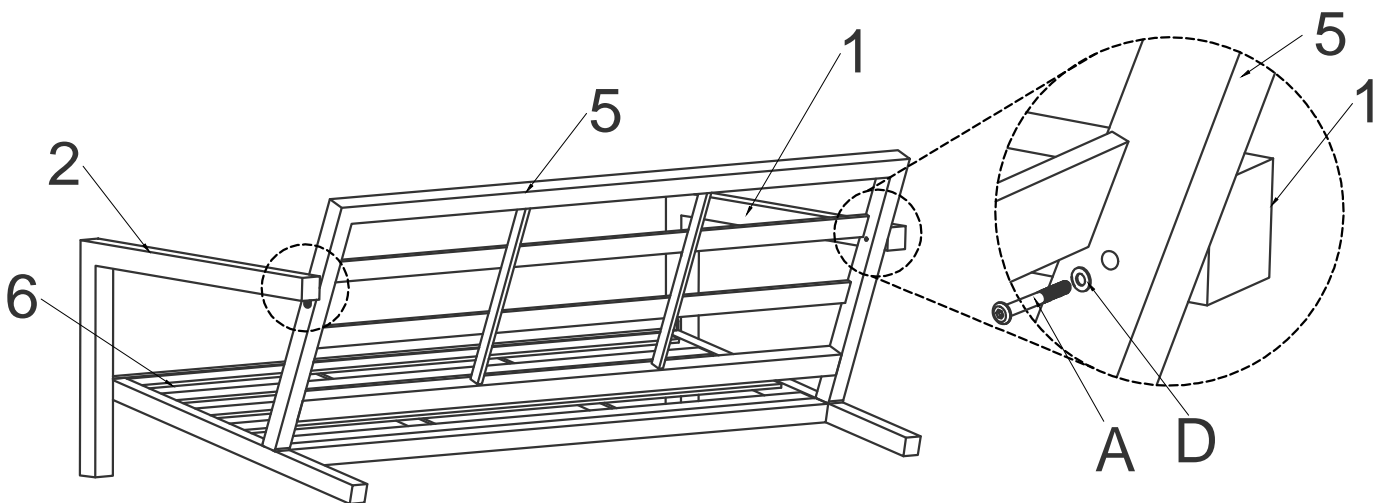


Step 3:

ITEMS REQUIRED


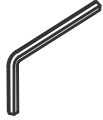

A. Bolt  M6*65*2PCS	C. Hexagon Key  M6*1PC	D. Shim  M6*2PC
--	---	--

- Attach backrest (5) to right arm (1) and left arm (2) using bolt (A) with shim (D).
- Half tighten with hexagon key (C).
- Do not fully tighten all bolts until all bolts are in the product.

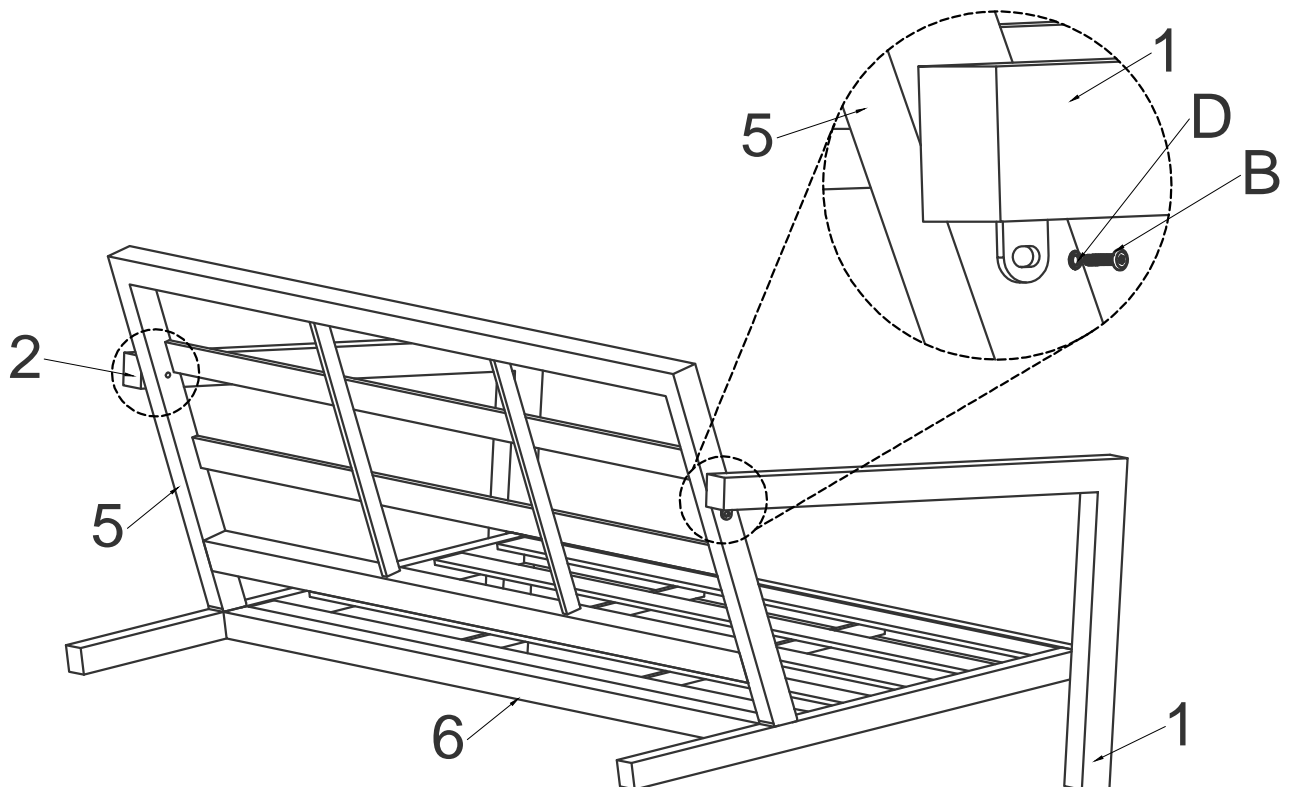


Step 4:

ITEMS REQUIRED

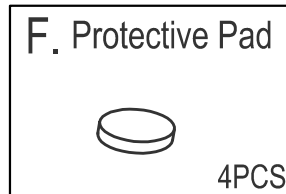
B. Bolt  M6*20*2PCS	C. Hexagon Key  M6*1PC	D. Shim  M6*2PCS
---	--	--

- Attach right arm (1) and left arm (2) to backrest (3) using bolt (B) with shim (D).
- Tighten with hexagon key (C) .

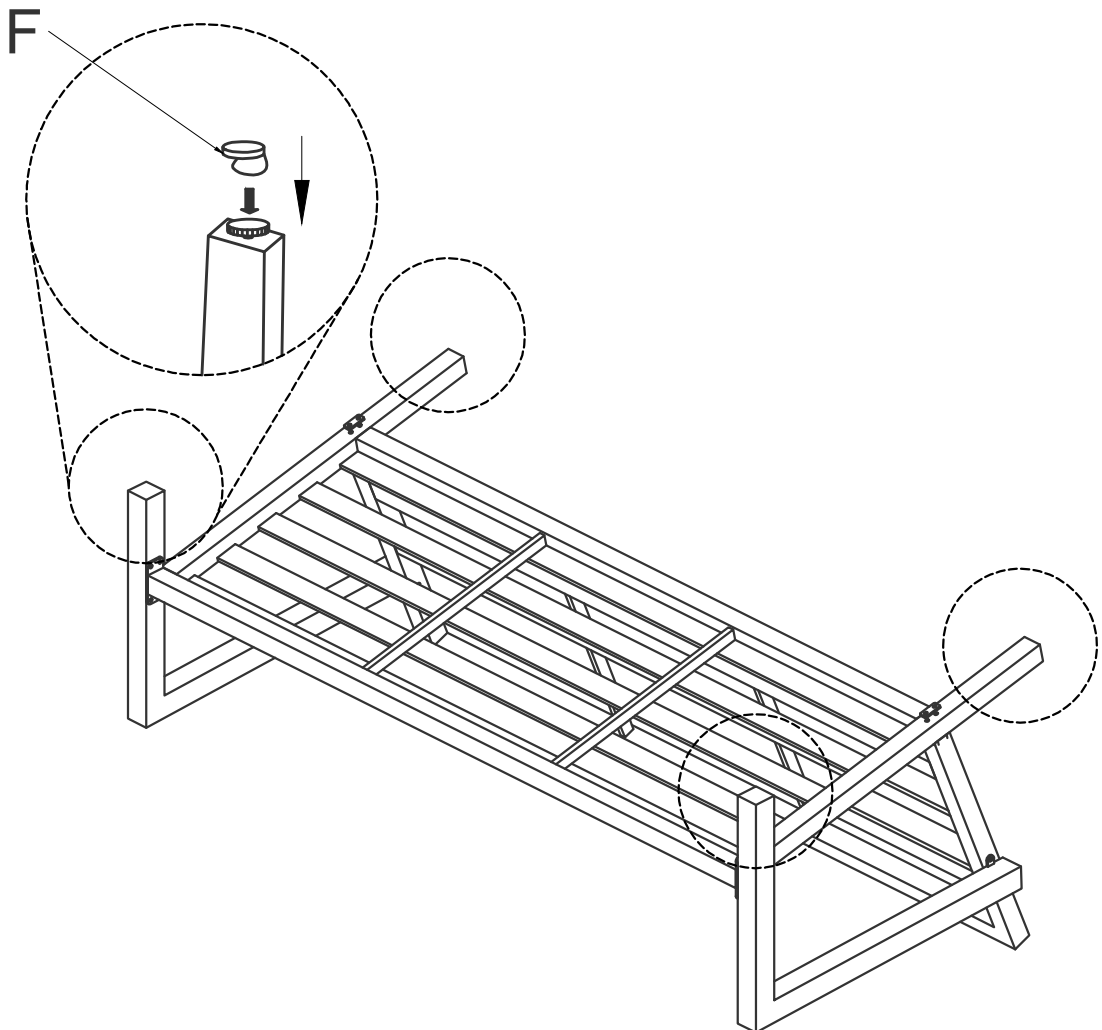


Step 5:

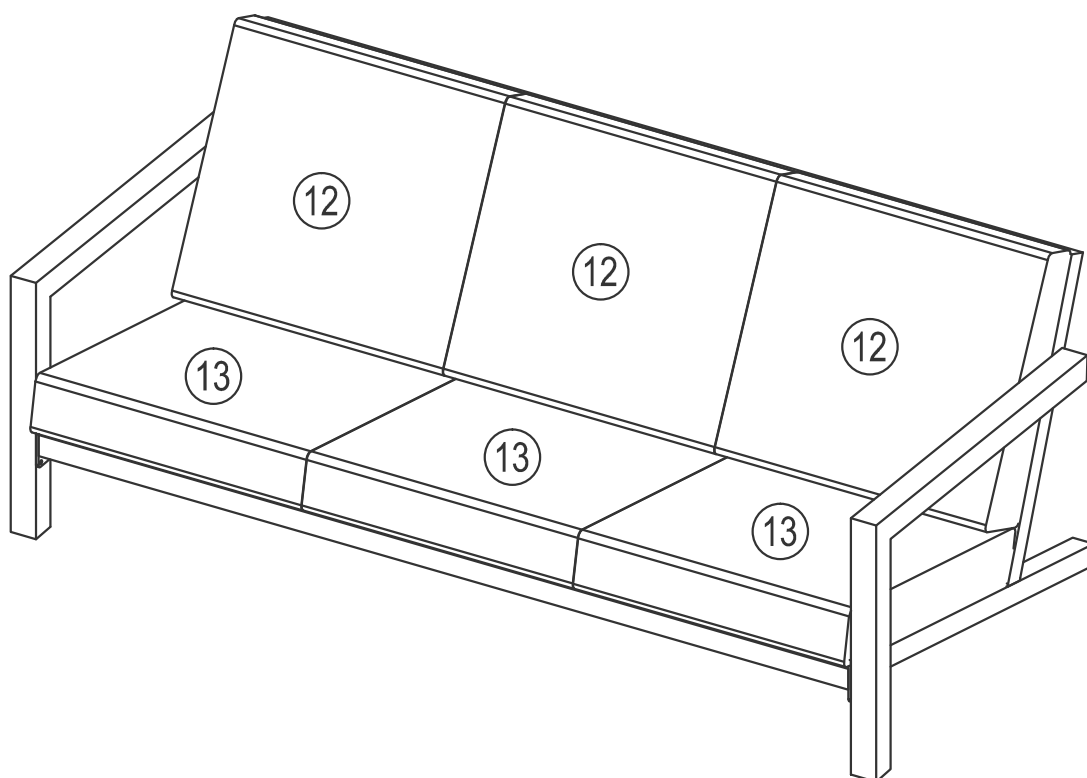
ITEMS REQUIRED



- Last attach the Protective Pad (F) under the adjusting knob.



ASSEMBLY IS COMPLETE

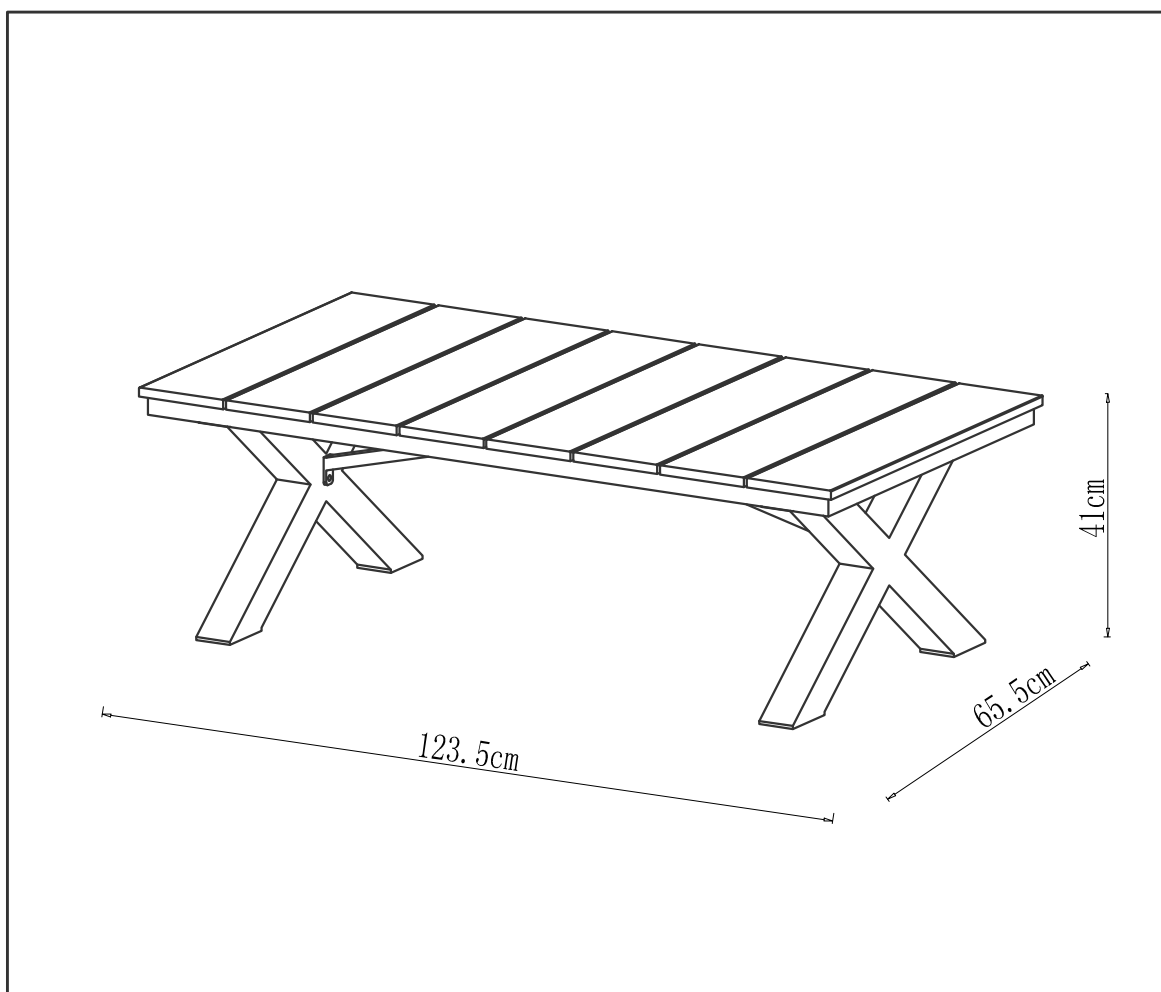




ASSEMBLY INSTRUCTION
ELWOOD 4PCE OUTDOOR LOUNGE SETTING

ITEM CODE - 65416

Imported by Amart Furniture Pty Ltd, Qld, Brisbane Australia .
For any assistance with assembly or for missing parts please phone
Amart Furniture , Customer Service Freecall 1800 351 084





Imported by Amart Furniture Pty Ltd, Qld, Brisbane Australia .
For any assistance with assembly or for missing parts please phone
Amart Furniture, Customer Service Freecall 1800 351 084

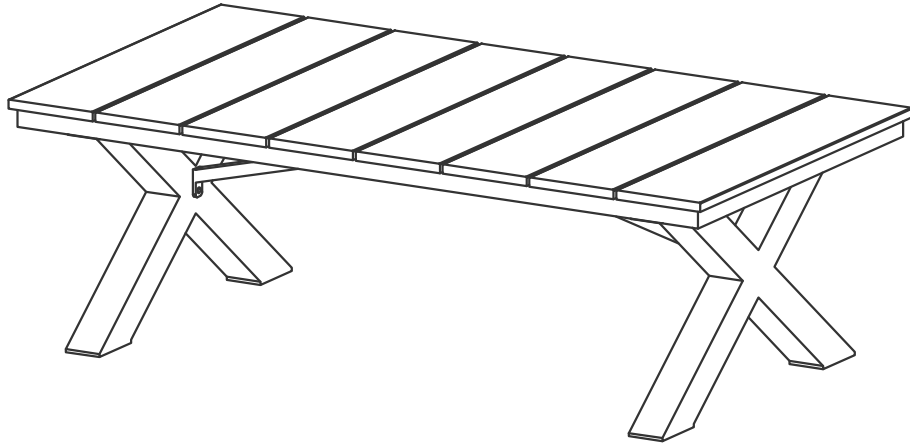
PRE-ASSEMBLY PREPARATION


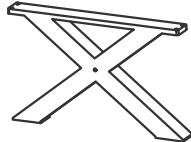

Before you start:



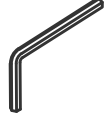

1. Choose a clean, level, spacious assembly area. Avoid hard surfaces that may damage the product.
2. Take care when lifting. Product should be assembled as near as possible to the point of use.
3. Ensure that you have all required contents for complete assembly.
4. Always read the assembly instructions carefully before beginning assembly.
5. Keep all hardware parts and packaging out of reach of small children.
6. Do not over tighten the screws and bolts as this may damage the threads.


	
ALLOW 20 MINUTES	PEOPLE REQUIRED
ADDITIONAL TOOLS REQUIRED	

PARTS LIST



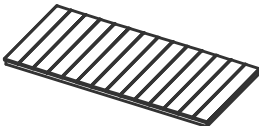
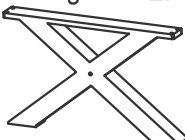



<p>7 Table Top  1PC</p>	<p>8 Legs  2PCS</p>
<p>9 Fixed link  1PC</p>	

<p>H. Bolt  M6*32*9PC</p>	<p>B. Bolt  M6*20*2PCS</p>	<p>C. Hexagon Key  M6*1PC</p>	<p>D. Shim  M6*11PCS</p>
--	---	---	---

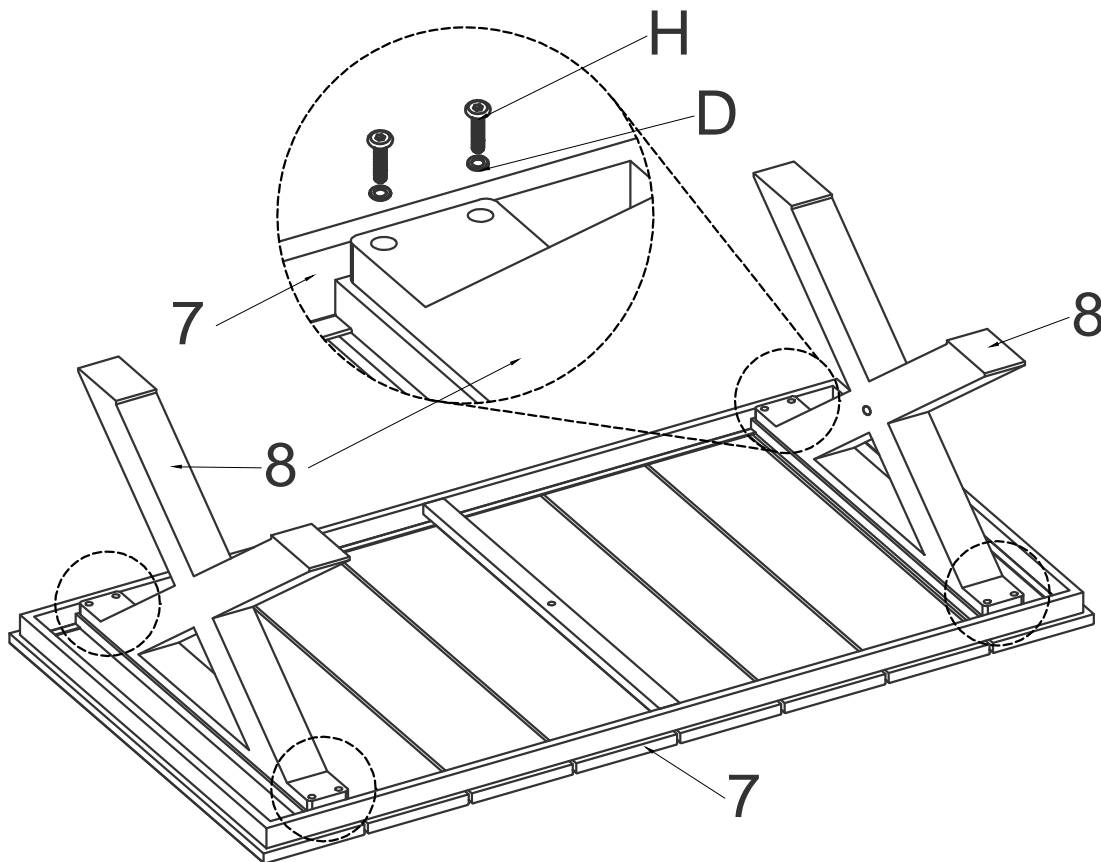
<p>F. Protective Pad  4PCS</p>

Step 1:

ITEMS REQUIRED



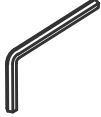


7. Table Top 1PC 	8. Legs 2PCS 	
H. Bolt  M6*32*8PCS	C. Hexagon Key  M6*1PC	D. Shim  M6*8PCS

- Attach legs (8) to table top (7) using bolt (H) with shim (D).
- Tighten with hexagon key (C) .

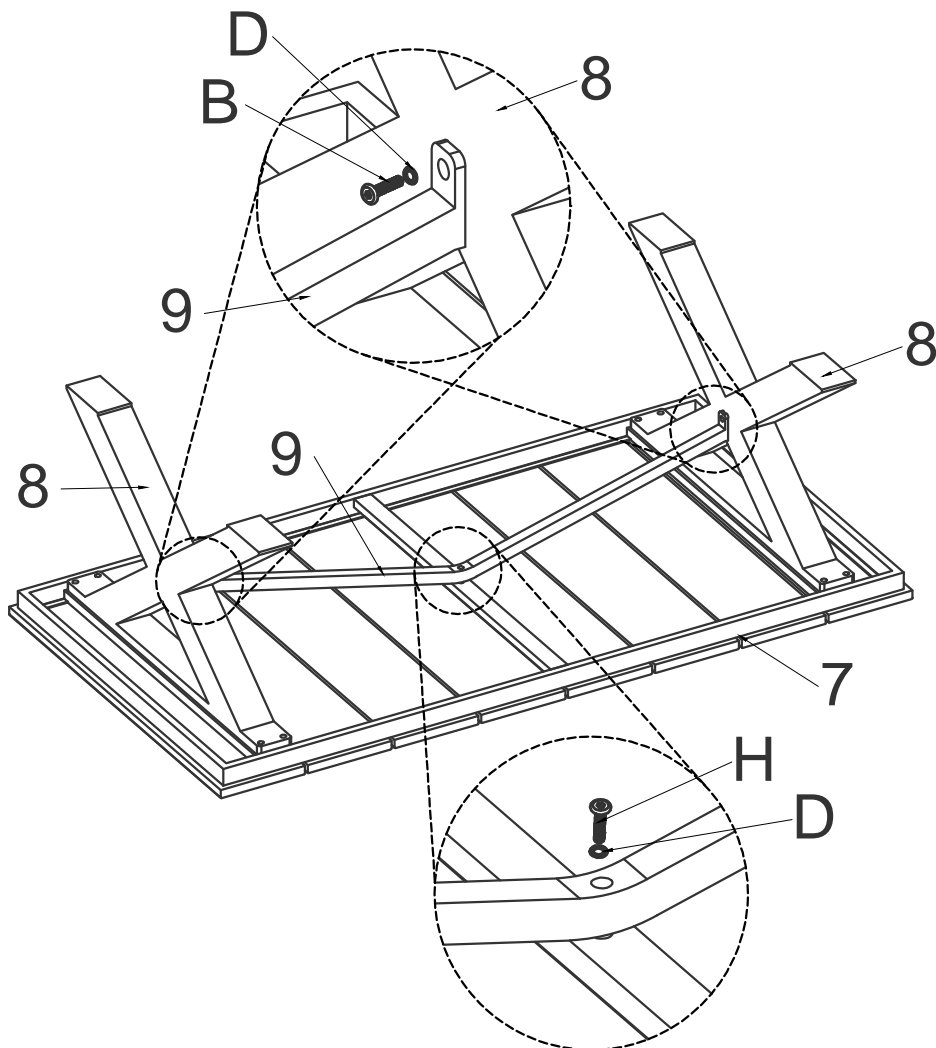


Step 2:

ITEMS REQUIRED

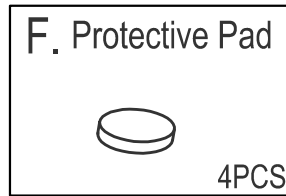
9. Fixed link 1PC 	B. Bolt  M6*20*2PCS	C. Hexagon Key  M6*1PC	D. Shim  M6*3PCS	H. Bolt  M6*32*1PC
--	--	---	---	---

- Attach fixed link (9) to legs (8) using bolt (B&H) with shim (D) .
- Tighten with hexagon key (C) .

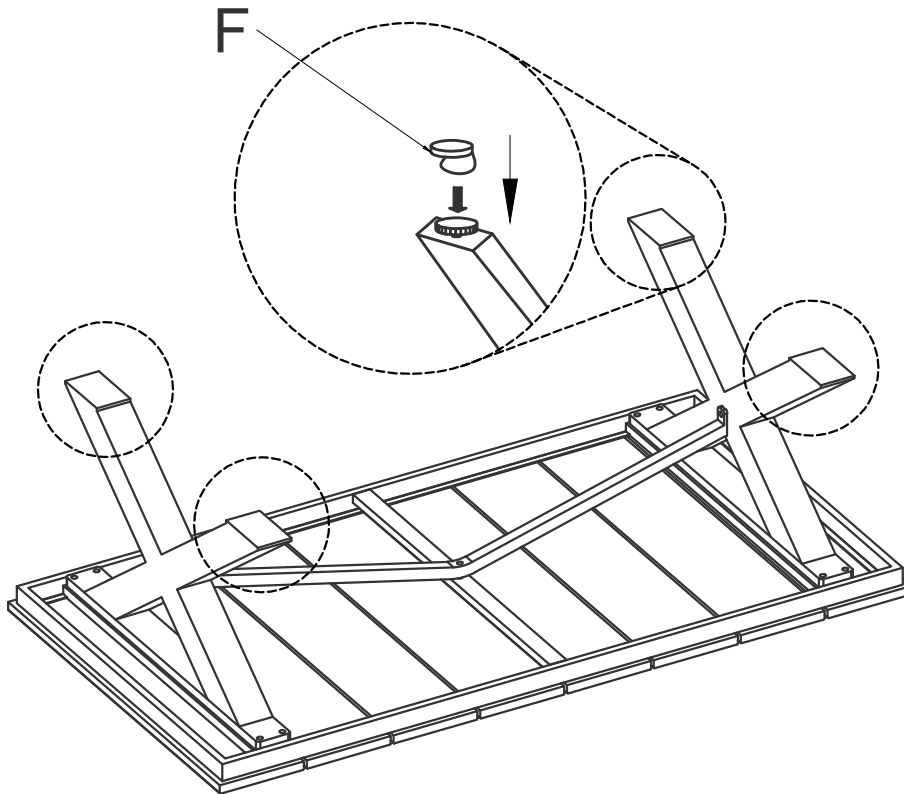


Step 3:

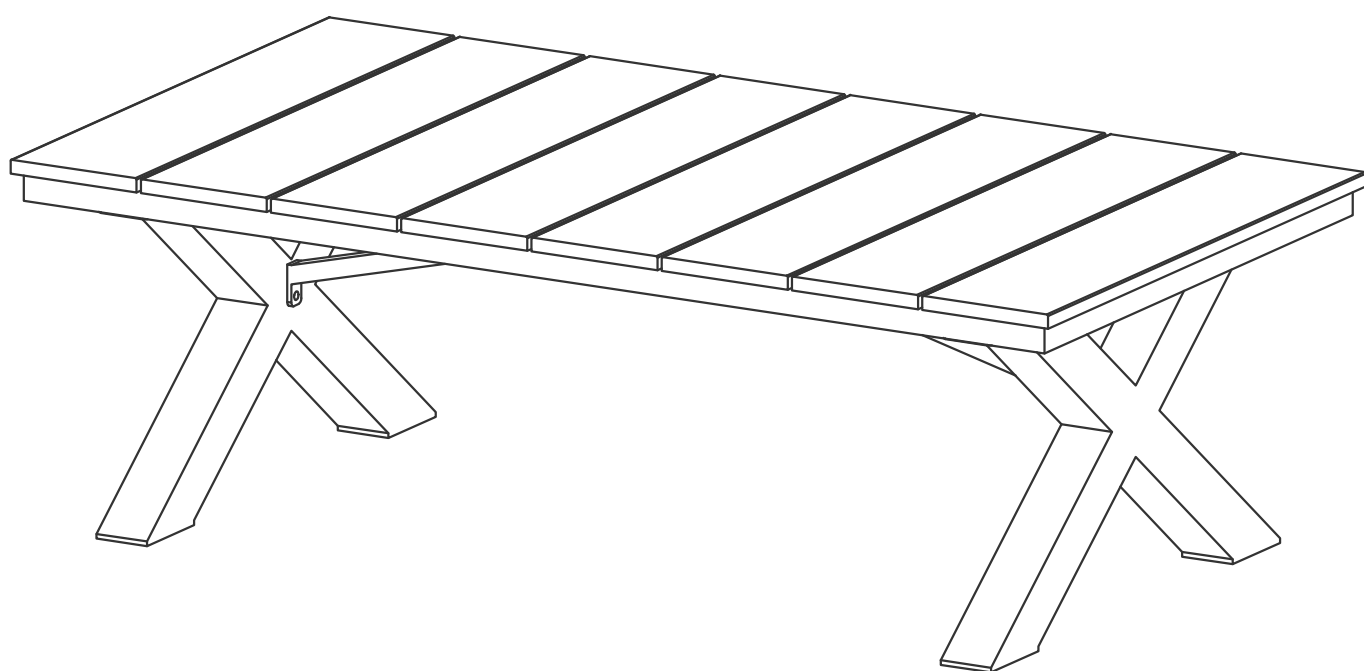
ITEMS REQUIRED



- Last attach the Protective Pad (F) under the adjusting knob.



ASSEMBLY IS COMPLETE



Care and maintenance



Cushions

- ☒ Direct exposure to the Sun's harmful UV rays is likely to cause rapid colour fading to fabrics. For best results we recommend avoiding exposure to direct sunlight
- ☒ To ensure product longevity it is recommended outdoor products are not left permanently exposed to the elements
- ☒ Spot clean using mild detergent and damp cloth. Dry flat in shade
- ☒ Do not unzip
- ☒ Do not put in washing machine
- ☒ Do not tumble dry
- ☒ Do not bleach
- ☒ Do not dry clean
- ☒ Cool iron only

weathergrain

- ☒ Item is designed for use outdoors. However we do not recommend leaving this product outside when not in use.
To preserve the life of this item, avoid prolonged exposure to the elements & store inside/under cover or use an outdoor cover.
- ☒ DO NOT place heavy or pointed objects on the surface of the weathergrain while using your outdoor furniture.
- ☒ DO NOT place magnifying objects on top of weathergrain in direct sunlight. Items such as wine glasses, reading glasses, etc. This may cause your product to burn.
- ☒ Leaving your outdoor furniture outside in direct sunlight may cause your product to become weak and brittle. Your product may also experience colour fading.
- ☒ DO NOT place hot objects on the surface of the weathergrain as it may damage the product.
- ☒ Wipe the surface of the weathergrain with mild soap and water.
- ☒ Do not clean your weathergrain item with solvents or any other aggressive chemicals.

Aluminium

- ☒ Item is designed for use outdoors. However we do not recommend leaving this product outside when not in use. To preserve the life of this item, avoid prolonged exposure to the elements & store inside/under cover or use an outdoor cover.
- ☒ DO NOT allow the furniture to be left in the rain or left wet for extended periods of time.
- ☒ Wipe furniture Dry immediately after it becoming wet.
- ☒ DO NOT clean your furniture down with any harsh solvents, abrasives or chemicals.
- ☒ To remove dirt and grime, simply rinse with fresh water or periodically clean using a sponge and mild detergent solution as required